

# PARTS LIST

REF. #	PART #	DESCRIPTION	REF. #	PART #	DESCRIPTION
1	1315200	Pole Clevis	50	1310005	Ram Tube
2	1315681	Pole	51	1310039	Crank Mount Bracket
3	1318985	Wind Flap	52	1316000	Ram Bearing
4	1318500	8 HP Engine	53	1315175	Ram Screw
5	1316600	Clutch	54	1318991	Handle Ram Screw
6	1316100	V-Belt	55	1318999	Knob
7	1315183	Key	56	1318100	1/2-20 x 2" Eye Bolt
8		5/16-18 Wing Nut	57	1318987	Control Rod
9	0018112	5/16 Tinnerman Wire Nut	58		Cotter Key
10	1310018	Belt Guard	59	1310008	Damper Panel
11		5/16-18 x 1" HHCS	60	1310003	Damper Panel Crank
12	1313402	Engine Brace	61	1318990	Damper Spring
13	1318995	Collar	62	0018132	"J" Bolt 3/8-16
14	1318993	Tire Ass'y - Complete	63	1318256	Idler Spring
	Consist- ing of:		64		3/8-16 Hex Nut
	1328998	Tire 13.500 x 6	65	1315193	Roller Tie Bar (Incl. in 1311007)
	1328997	Wheel Hub & Bearings	66		1/2-13 x 1 1/4 HHCS w/1/2" Lock Washer
15	1310013	Tree Guard Right Side	67	1315130	Axle Key
16	1316200	V-Pulley-Rotor	68		3/8-16 x 3/4 HHCS w/3/8" Lock Washer
17	0018163	Shoulder Bolt	69		1/2-20 x 3/4 Truss Head w/Nut & Lock Washer
18		1/2 Flat Washer	70		1/2-20 x 1/2 Truss Head w/Nut & Lock Washer
19	0016200	Flat Back Idler Pulley	71		3/8-16 x 2 HHCS w/Nut & Lock Washer
20		1/2-13 Hex Nut	72		1/2-20 x 3/4 HHCS w/Nut & Lock Washer
21	1310012	Tree Guard Left Side	73	1313410	Mower Spring Bracket
22	1310040	Side Bar Weld.	74	1318986	Rope
23	1310006	Wheel Mount Right Side	75		Link
24	1314431	Stop Angle	76	1313302	Front Bow
25	1311007	Roller Assy.	77	1313304	Center
26	1315042	Mower Main Axle	78	1310014	Post Weld. Left Side
27	1314775	Upper Inside Baffle	79	1310002	Post Weld. Right Side
28	1308997	Pivot Stud	80	Consist- ing of:	1308250 - Stud 1308251 - Pop Rivets
29	1310021	Hopper Side Right	81	1310015	Bottom Weld. Basket
30	1315180	Hopper Front Panel	82	1313303	Rear Bow
31		3/8-16 x 5/8 Sq. Head Set Screw	83	Consist- ing of:	1308252 - Fronts 1308253 - Sockets
32	1314428	Cutoff Bar	84	Consist- ing of:	1318251 - Eyelets 1308250 - Stud
33	1315181	Blower Cap Blower Cover	85	1311000	Fabric Assy.
34	1315187	Blower Cover Plate	86	1310010	Rear Access Cover
35	1310022	Hopper Side Left	87	1330001	Leaf Shredder Weld.
36	1310020	Rotor Access Cover	88	0008100	5/16-18 U-Shaped Nut Retainer
37	0016016	Rotor Bearing 3/Bolt x 1 1/4	89		5/16-18 x 3/4 HHCS
38	1310016	Rotor Weld.	90	1318992	Handle-Bracket
39	1313784	Knife Hanger	91		3/8-16 x 3/4 HHCS w/Nut & Lock Washer
40	1314446	Knife			
41		3/8-16 Hex Flange Locknut			
42		Key			
43	1310007	Wheel Mount Left			
44	1313305	Locking Clip			
45	1310001	Body Weld.			
46	1313207	Engine Mount Washer			
47	1310011	Throttle Bracket			
48	1318994	Clip-Rope Handle			
49	1317000	Throttle Assy.			

## BELT ADJUSTMENT

It is important to have the engine up to speed and the belt tight on the pulley in order to provide the traction necessary to drive the rotor. If belt slippage occurs, immediately stop the engine and check the belt tension. Tighten the belt by increasing the tension on the spring tightener.

If the rotor does not turn, check the drive belt. If the drive belt is tight and the rotor does not turn, the rotor is likely jammed by some field debris and requires clearing. Be sure engine is shut off.

## CLEANING

When cutting wet grass, the grass may build up on the underside of the machine. It is recommended that you hose down the housing, hopper and rotor after use. A clean hopper provides a smooth flow for the material to the basket.

## KNIVES and ROTOR

The knives can be reversed to expose a new cutting edge. If necessary, the knives can be removed and sharpened on any electrical bench grinder.

The rotor must not be run with knives missing. If knives are lost or missing, the rotor will be out of balance and the machine will vibrate. If this happens, stop the engine and inspect the knives by lifting off the basket and opening or removing the rear inspection cover. Refer to Mathews Company Parts List if replacements are necessary.

## TIRES & WHEELS

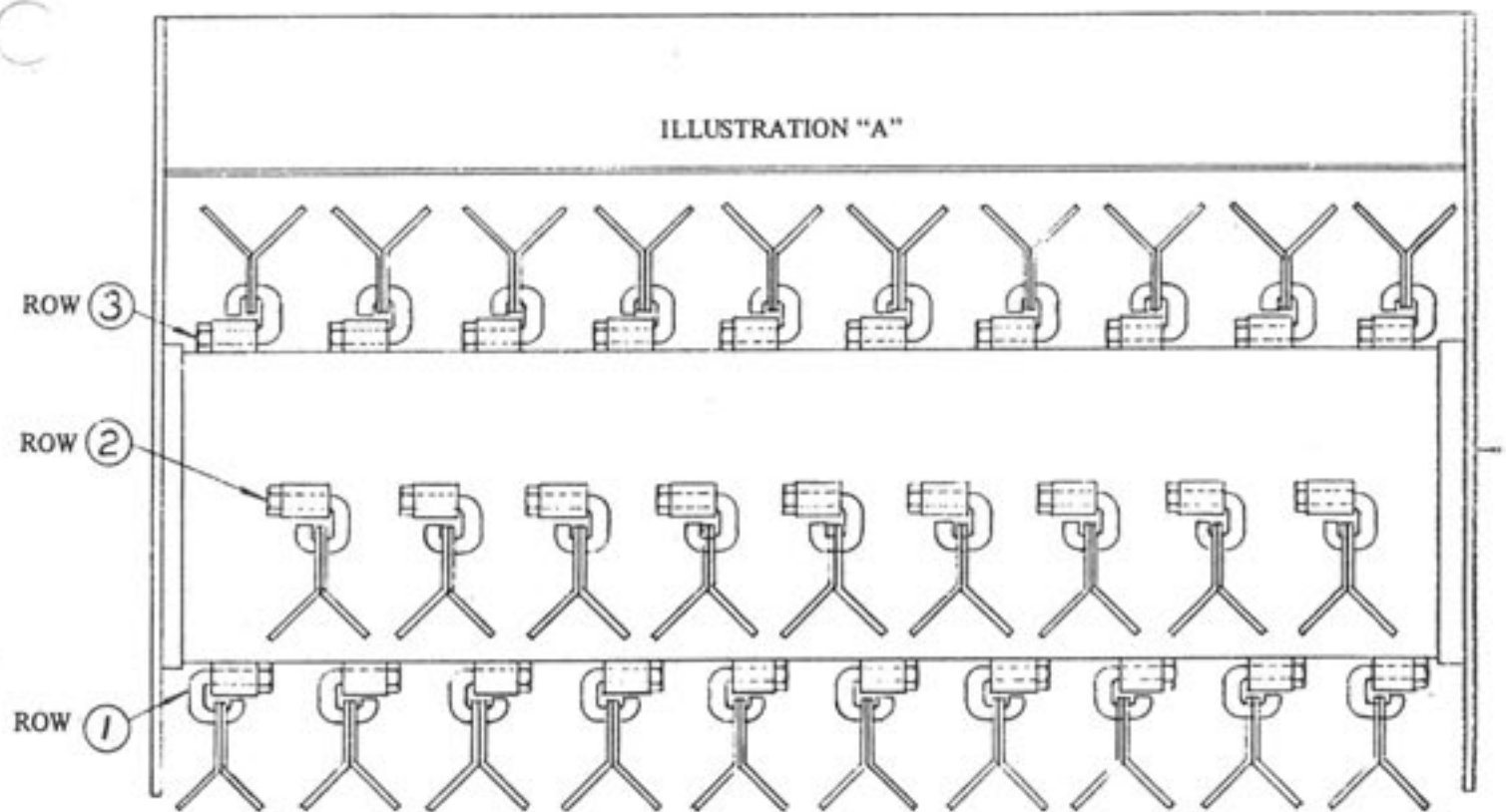
Tire pressure must be equal in order to obtain an even cut. Grease the wheel bearings once a year with grease fitting on the wheel.

## ENGINE

The engine manufacturers manual clearly illustrates all Operating and Maintenance Instructions for the engine. (Enclosed in Warranty Envelope).

## HEIGHT ADJUSTMENT CRANK

A few drops of oil on the bearing and screw will ensure easy, quick adjustment.



## REAR VIEW - WITH COVER REMOVED

Row 1 - All hanger threads (10) pointed to the right

Row 2 - All hanger threads (9) pointed to the left

Row 3 - All hanger threads (10) pointed to the left

Row 4 - All hanger threads (9) pointed to the right

ROW  
(Not Shown)

## READ ALL INSTRUCTIONS BEFORE OPERATING MACHINE

### OPERATING INSTRUCTIONS

The LAWN GENIE is a flail type mower with a combination mowing and pick-up feature. It is used for mowing, thatching, and clean-up work. Picking up grass trimmings and leaves in the spring and fall is an easy chore because of its hopper and basket arrangement.

For best results, the operation of the LAWN GENIE should be clearly understood. The rotor is a large diameter tube with 38 patented hangers with two patented replaceable swinging knives to each hanger. These high carbon steel hangers and knives are arranged in four evenly spaced rows across the length of the rotor to give uniform cut the full width of the mower. SEE ILLUSTRATION A Page 2.

The hangers are fastened to the rotor with special lock nuts. These lock nuts draw up tight enough to securely hold the hanger and knives, yet loose enough to allow the hanger and knives to swing easily.

The LAWN GENIE, with its own 8 H.P. gasoline engine is rugged enough to use in a variety of ways as anyone will find out after using it for a short time.

The engine is equipped with a centrifugal type clutch pulley. When the engine is idling, the clutch pulley is disengaged. When you apply full throttle, the centrifugal force engages the clutch pulley to drive the rotor.

A safety guard has been installed on each side of the machine to guard against the operator's foot getting caught in the cutting mechanism and also to prevent a tire from being hooked around a tree or fence post. Do not remove these guards.

**Pole Adjustment:** The LAWN GENIE should run level with the tractor for the best cutting job. The hitch tongue adjusts in three positions. Bolt the tongue in any of three pivot holes under the front of the machine to level it with the tractor and ground.

**Damper Adjustment:** To mow and load the clippings, pull the damper rod on the side of the throttle mount forward. To mow only, push the damper rod back. This opens or closes the damper gate which allows clippings to travel up the hopper and into the basket or directly back to the ground.

### MOWING

For normal lawn mowing you can easily set the cutting height by turning the crank on the left front side of the machine. It is best to set the height so that the rear roller clears the ground and only engages when you encounter a rise or dip in the surface. This roller is to help eliminate scalping.

When cutting heavy grass from 4-6" in height your ground speed should be slower than if the grass were only 2" high. Determine the type of job you have and govern your cutting speed accordingly.

When cutting fresh and tender or wet grass, it may be difficult to dump the basket because of the extra weight. Under these conditions it is advisable to only partially fill the basket before dumping it.

If you wish to pick up wet grass, do it in a two-part operation. Close the damper by pushing the control rod mounted on the throttle console. This will direct the grass clippings back onto the ground. Later, go back and pick up the grass when it has dried.

### THATCHING

To thatch and pick up old dead grass, you may cut directly and load into the basket or deflect the material to the ground and then come back and pick it up later. Normally for a thatching operation set the cutting height so that the roller is in direct contact with the ground.

### LEAF CLEANUP

An important feature of the LAWN GENIE is its ability to do the back-breaking job of leaf removal. Mowing with the standard machine will cut up the leaves and decrease their volume for pickup. They can be dumped and composted or bagged for removal.

A leaf grinder attachment is available which can easily be inserted in the rear portion of the LAWN GENIE. (See illustration - Page 6). With this low cost attachment, leaves are cut up or mulched enough to be left on the ground to disintegrate and disappear into the soil.

If you choose to pick up the mulched leaves, pull out the damper push rod, go back over the lawn and load the leaves into the basket. It is not necessary to remove the grinder attachment for this part of the operation.

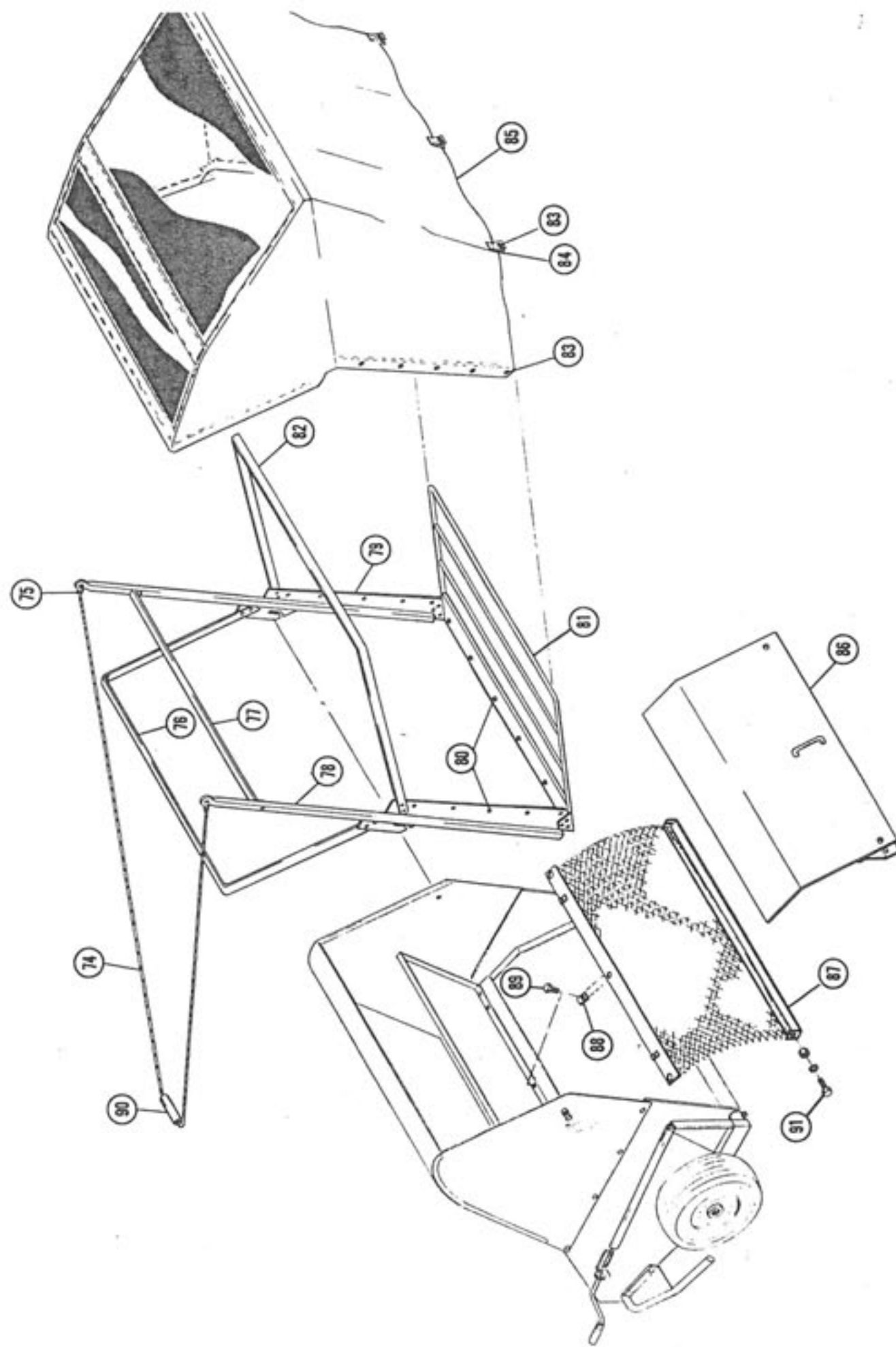
### MAINTENANCE - ALL MAINTENANCE MUST BE DONE WITH MOTOR OFF

#### CLUTCH and BEARINGS

The drive clutch, rotor bearings, and ground roller bearings can be serviced by replacement only.

#### BASKET

If the basket's fabric becomes mutilated or badly worn, a new plastic fabric is easily snapped into place. Purchase from your LAWN GENIE dealer.





**INSTRUCTIONS FOR ORDERING PARTS:**

1. ALL PARTS MUST BE ORDERED FROM YOUR DEALER.
2. GIVE MODEL NUMBER and SERIAL NUMBER that is stamped on the NAME PLATE of your machine.
3. Order from your PARTS LIST, found below each illustration, as this is the ONLY means we have of identifying the parts you need. Order by the QUANTITY DESIRED, the PART NUMBER and the DESCRIPTION OF THE PART.

NOTE: The Company reserves the right to incorporate any changes in design without obligation to make these changes on units previously sold.

**OWNERS NOTICE**

TO INSURE WARRANTY CLAIMS, BE CERTAIN TO FILL OUT AND MAIL WARRANTY CARD WITHIN 30 DAYS.

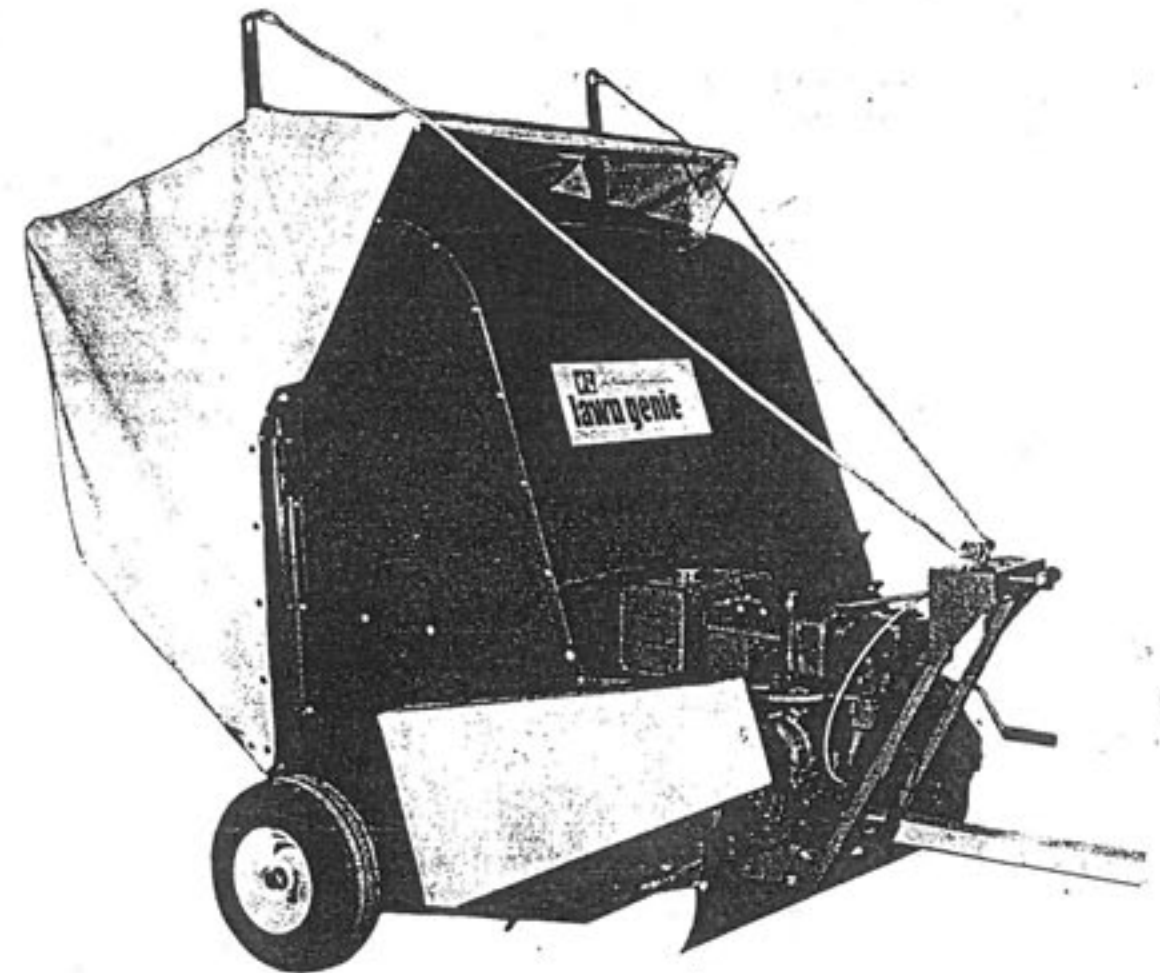
PRINTED IN U.S.A.

**M-C**

TAKES THE WORK OUT OF LAWN AND ESTATE CARE

# **lawn genie**

## **FLAIL PICKUP MOWER**



### **OPERATOR'S MANUAL**

MODEL LG 36

UP 2 SN 1260

MANUFACTURED UNDER PATENT NO. 3,633,349; 3,693,335 OTHER PATENTS PENDING.

MATHEWS COMPANY • CRYSTAL LAKE, ILLINOIS 60014 • U.S.A. • LG-36-73